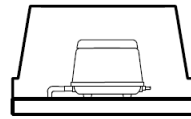
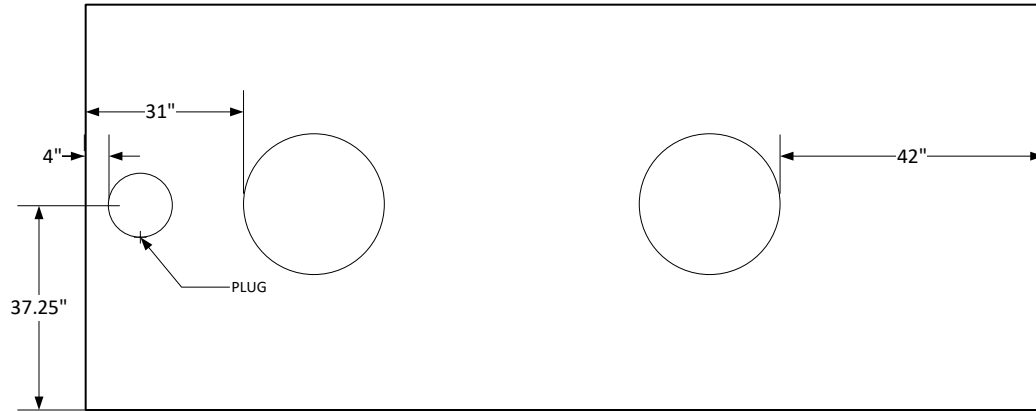


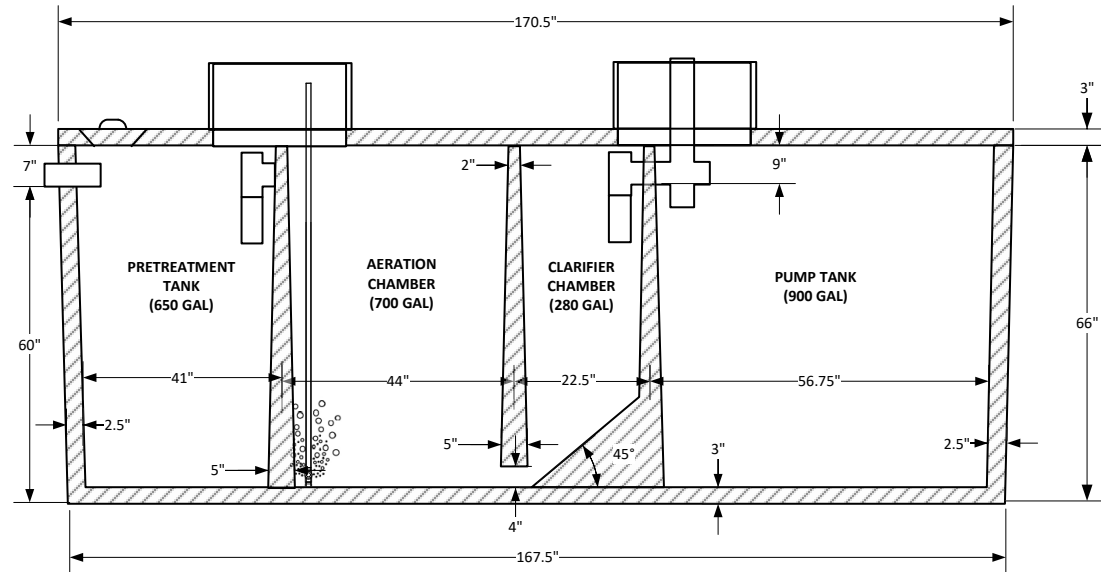
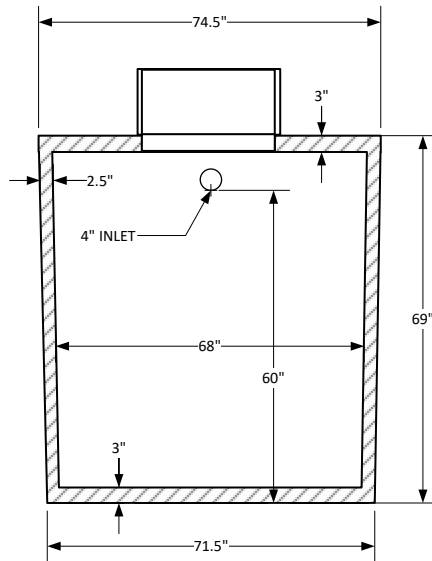
# POLYPURE SYSTEMS, INC.

## C SERIES C-960

SECTION VIEW



AERATOR IN DRY VENTILATED LOCATION



### POLYPURE C-960

CONCRETE: 5000 PSI MIN – 28 DAY  
 STRENGTH REINFORCEMENTS: MEET OR EXCEED ASTM A-615 OR A-185

ALL DIMENSIONS IN INCHES

± 0.25 UNLESS SPECIFIED OTHERWISE

| SIZE  | MATERIAL  | DRAWN    | REV    |
|-------|-----------|----------|--------|
| SCALE | CONCRETE  | E. CRUSE |        |
| NTS   | 6/16/2024 | SHEET    | 4 OF 6 |