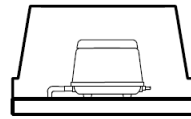
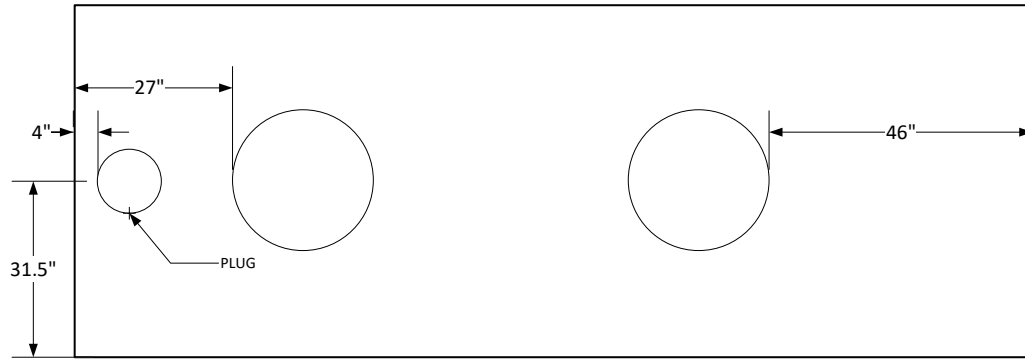


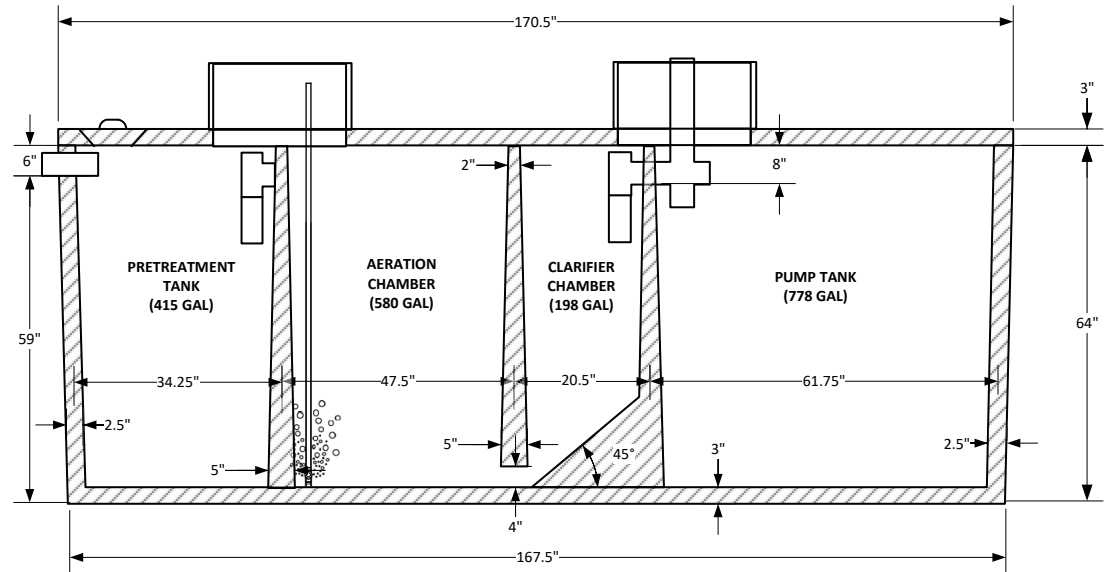
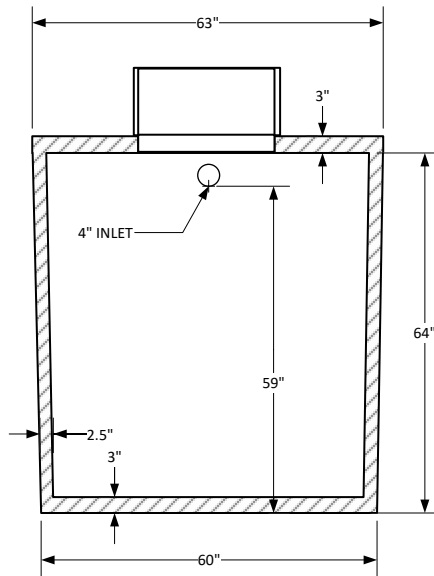
POLYPURE SYSTEMS, INC.

C SERIES C-720

SECTION VIEW



AERATOR IN DRY VENTILATED LOCATION



POLYPURE C-720

CONCRETE: 5000 PSI MIN – 28 DAY
 STRENGTH REINFORCEMENTS: MEET OR EXCEED ASTM A-615 OR A-185

ALL DIMENSIONS IN INCHES

± 0.25 UNLESS SPECIFIED OTHERWISE

SIZE	MATERIAL	DRAWN	REV
SCALE	CONCRETE	E. CRUSE	
NTS	8/24/2024	SHEET	2 OF 6